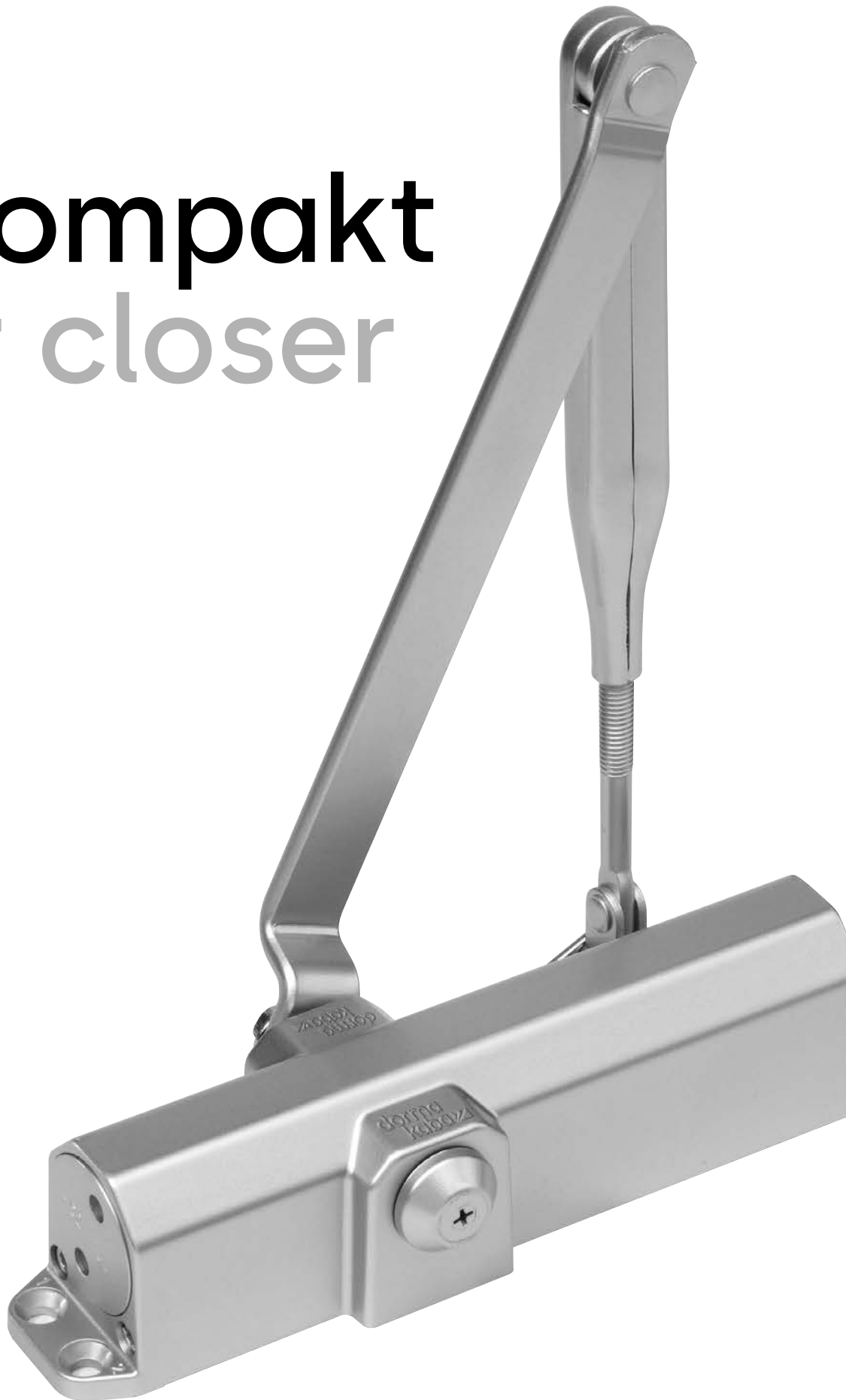


# TS Kompakt Door closer



# The ideal cost-efficient solution for standard doors

With the TS Kompakt, dormakaba has developed a door closer which can be universally used on all common door types. It is particularly quick and easy to install – and does not require a mounting backplate. Changes in templating allow easy selection of the closing force to suit various door sizes.

## Certified to ISO 9001

### Plus points

#### For the trade

- Ideal solution for standard doors.
- Just one model for all sizes to simplify stocking.

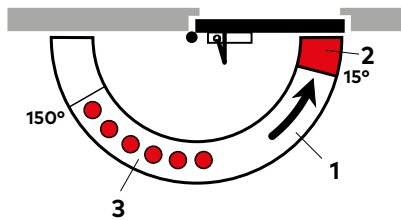
#### For the user

- Two valves for optimum closing speed.

#### For the installer

- Non-handed unit.
- Quick and easy to install.
- Fixes perfectly to all door types without the need for a mounting backplate.
- One model for all mounting positions.

## Functions



- 1 Adjustable closing speed in the range 180° – 15°.
- 2 Adjustable closing speed in the range 15° – 0°.
- 3 Hold-open range with hold-open arm model (optional extra).

## Closing force settings

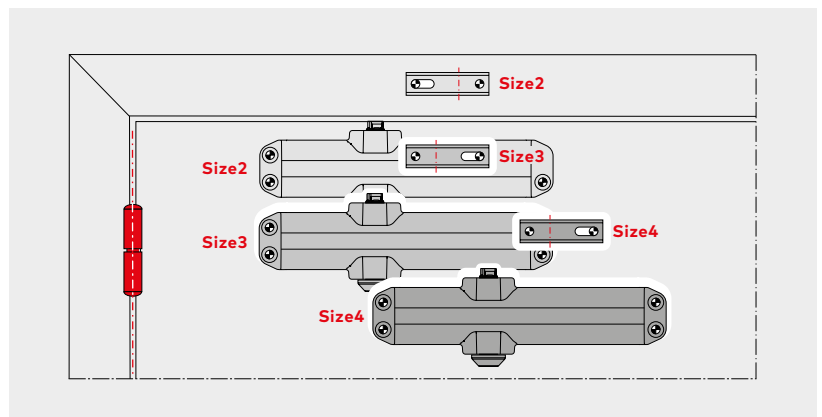
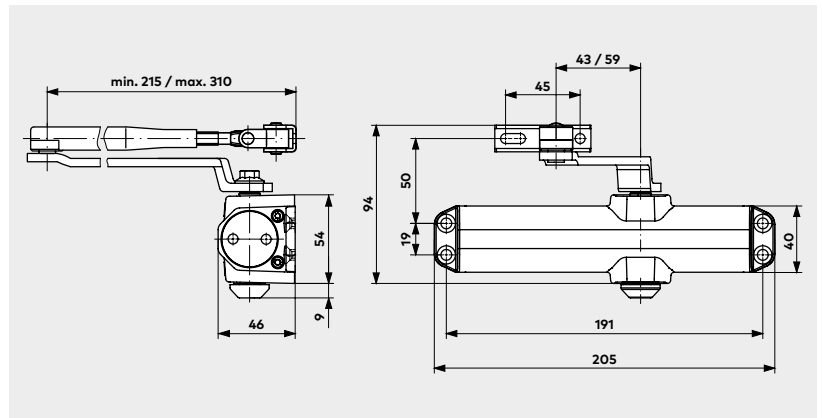
Door width	Size setting
≤ 850	Size 2
≤ 950	Size 3
≤ 1100	Size 4

The TS Kompakt size setting is selected for the door width by moving the closer body and/or turning the arm power shoe.

Data and features		TS Kompakt
<b>Closing force, adjustable</b>		2/3/4
<b>Standard doors*</b>	≤ 1100 mm	●
<b>External doors, opening outwards*</b>		-
<b>Fire and smoke check doors*</b>	≤ 1100 mm	-
<b>Non-handed</b>		●
<b>Arm</b>	Standard	●
	Slide channel	-
<b>Closing speed adjustable at 2 separate valves</b>		●
<b>Backcheck</b>		-
<b>Delayed action</b>		-
<b>Hold-open</b>		○
<b>Weight in kg</b>		1.2
<b>Dimensions in mm</b>		
	Length	205.0
	Overall depth	46.0
	Height	40.0
<b>C UL US</b>		●

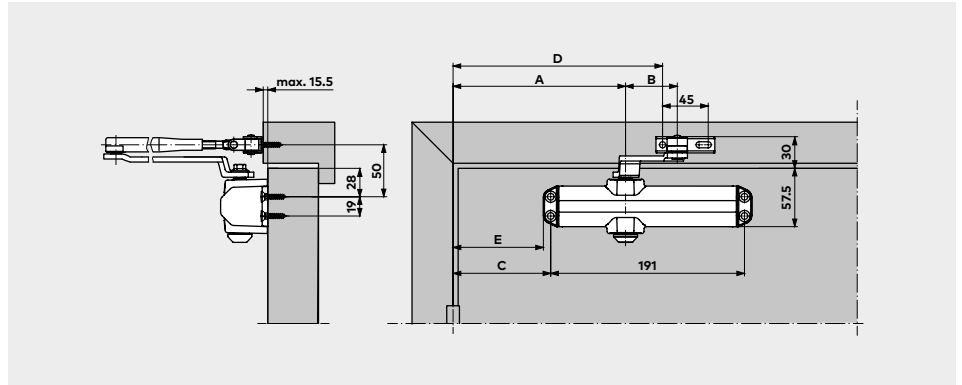
● Yes – no ○ Option

\* For high and heavy doors, external doors, and for doors required to close against high wind pressure, we recommend dormakaba TS 83.



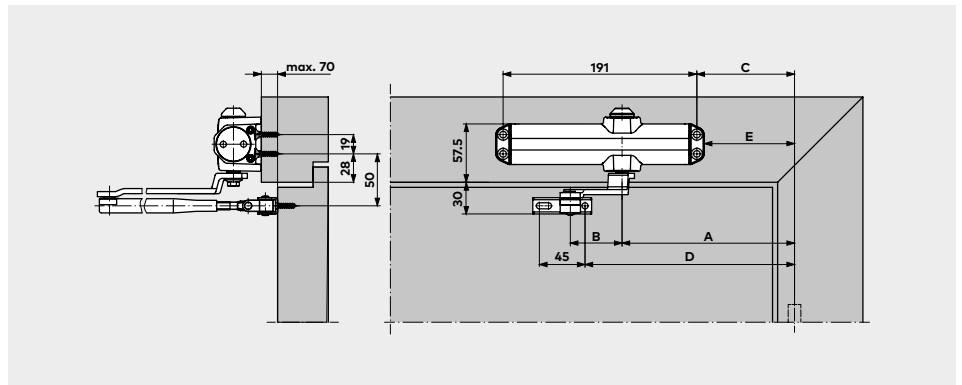
**Door-leaf fixing, pull side**

	Size 2	Size 3	Size 4
<b>A</b>	170.0	170.0	250.0
<b>B</b>	59.0	43.0	43.0
<b>C</b>	96.5	96.5	176.5
<b>D</b>	198.5	198.5	278.5
<b>E</b>	89.0	89.0	169.0



**Frame fixing, push side**

	Size 2	Size 3	Size 4
<b>A</b>	170.0	170.0	250.0
<b>B</b>	59.0	43.0	43.0
<b>C</b>	96.5	96.5	176.5
<b>D</b>	198.5	198.5	278.5
<b>E</b>	89.0	89.0	169.0



**Note**

On the application for size 4 (UL), move the door closer body 13 mm in the opposite direction of the door hinge from the above stated position for size 4.

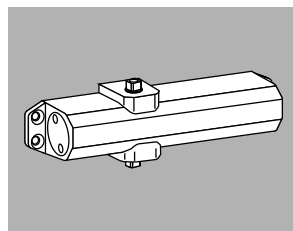
**Standard equipment**

Color	
Silver	01
Silver	03
Silver	11
black (RAL 9005)	19

**Order number:**

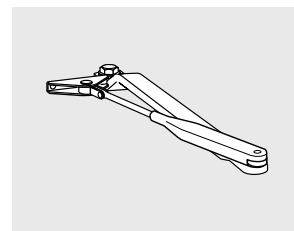
■□ - Closer with arm, complete

**Door Closer – TS Kompakt**



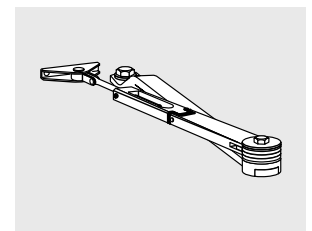
Size EN 2/3/4

**Standard arm**



■□ 670101xx

**Hold-open arm**



■□ 670102xx

**Note**

If the use of a door closer with mounting plate is required, we recommend dormakaba TS 73 V, TS 72, TS 71.

**Specification text**

Rack and pinion door closer with selectable closing force, size 2, 3 and 4 and adjustable closing speed in two independent ranges. Non-handed.

**Model**

- with standard arm
- with hold-open arm

**Colour**

- silver
- brown
- white (similar to RAL 9016)
- black (similar to RAL 9005)

**Make**

dormakaba TS Kompakt



Door  
Hardware



Electronic  
Access & Data



Mechanical  
Key Systems



Lodging  
Systems



Entrance  
Systems



Interior Glass  
Systems



Safe  
Locks



Service

**dormakaba**  
**Deutschland GmbH**  
DORMA Platz 1  
DE-58256 Ennepetal  
T +49 2333 793-0  
info.de@dormakaba.com  
**www.dormakaba.de**

**dormakaba**  
**Luxembourg SA**  
Duchscherstrooss 50  
LU-6868 Wecker  
T +352 26710870  
info.lu@dormakaba.com  
**www.dormakaba.lu**

**dormakaba**  
**Austria GmbH**  
Ulrich-Bremi-Strasse 2  
AT-3130 Herzogenburg  
T +43 2782 808-0  
office.at@dormakaba.com  
**www.dormakaba.at**

**dormakaba**  
**Schweiz AG**  
Lerchentalstrasse 2 a  
CH-9016 St. Gallen  
T +41 848 85 86 87  
info.ch@dormakaba.com  
**www.dormakaba.ch**



dormakaba.com